

Introduction

The TrueCom (TCOM) Area of Rescue Command Panel provides buildings with a microprocessor-based communication system. The TCOM system provides two way voice communications between Area of Rescue (AOR) remotes and the command panel, as well as visual indicators for the hearing impaired. This document describes how to mount and wire the Command Panel.

Mounting instructions

1. Remove the lift-away outer door.
2. Open inner door using a flat head screwdriver on the captive hardware.
3. Position the back box on the wall. Open the inner door and mark the hole locations for the mounting screws. Use Figure 1 as a reference.
4. Drill holes in the wall for mounting the hardware. The holes in the box are intended for number 10 or .25 in. hardware.
5. Tighten the screws, leaving a gap from the seated position of each screw. Mount the box and secure the screws.
6. Secure the inner door with the captive hardware.
7. Replace the lift-away door.

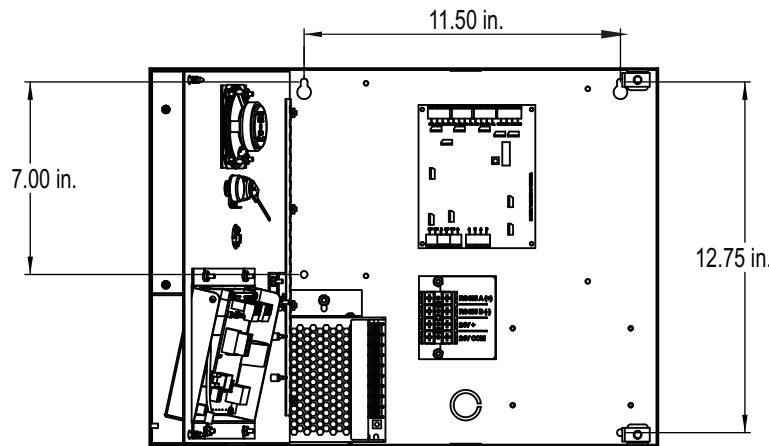


Figure 1. Mounting screw locations



IMPORTANT. When the notification appliance emits light or sound, it indicates the possibility of an emergency situation that requires immediate attention of all occupants



LOCATION REFERENCE. Location and quantity of Appliances required must conform to the applicable local standards and guidelines (the National Fire Alarm and Signaling Code (NFPA 72); ULC Standard CAN/ULC-S524, Installation of Fire Alarm Systems; the appropriate model building codes, etc.) and specific requirements of the Local Authority Having Jurisdiction (AHJ). These Notification Appliances are not intended for installation within hazardous locations as defined by the National Electrical Code (NEC) or NFPA.



SAFETY. Always install, maintain, and test Notification Appliances within their specifications. Failure to follow all safety precautions and instructions may result in loss of life and property due to non-functioning Notification Appliances. Some Notification Appliances use high voltage. To avoid electrical hazards and avoid damage to appliances, make sure that the electrical power for the Notification Appliance Circuit is disconnected at the control panel before installing, repairing, or internally adjusting any Notification Appliances. Even with electrical power removed, some Notification Appliances (such as visible strobes) store a high voltage charge. The high voltage can cause injury resulting in death from electrical shock. **DO NOT TOUCH EXPOSED CIRCUITRY.**

Specifications

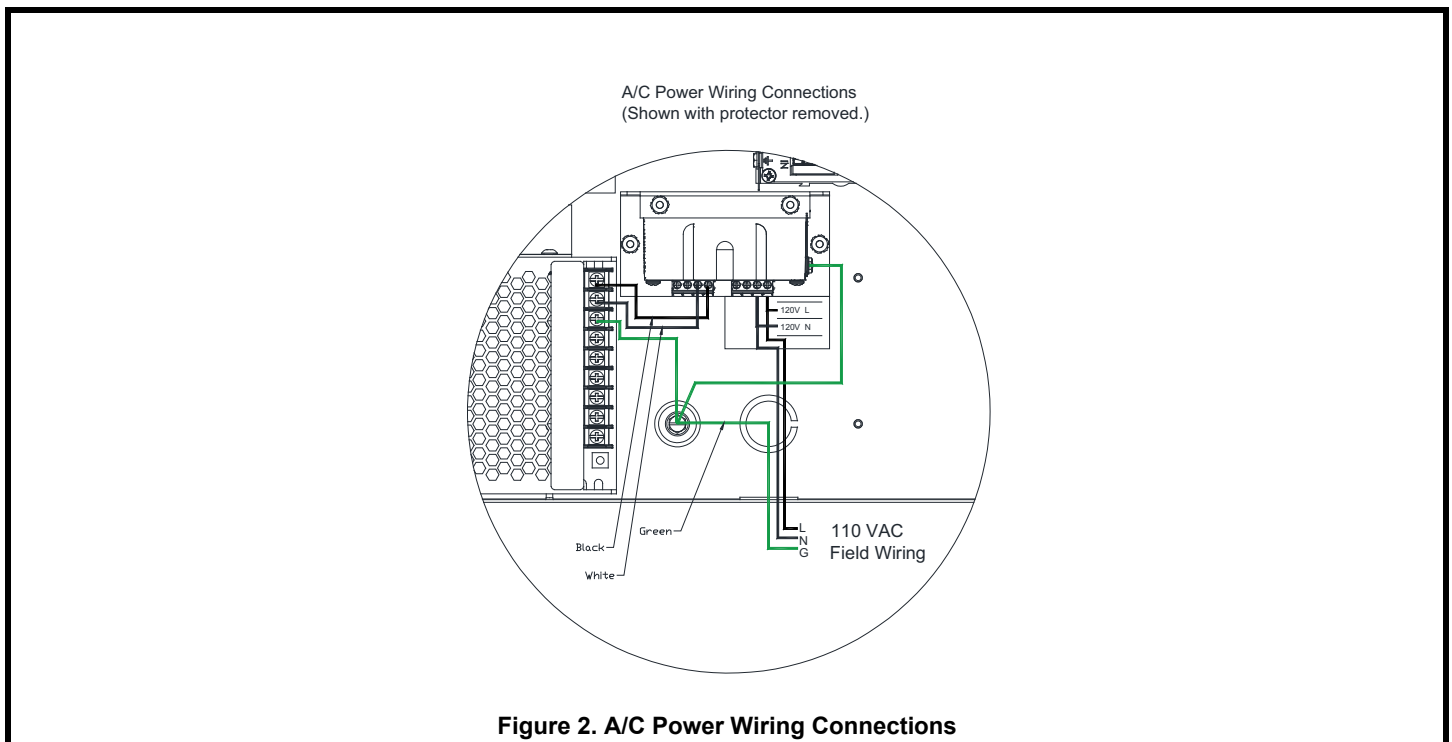
Refer to the following wiring and power specifications:

Table 1: Specifications

Power Requirements	
Current Draw (TSD and Power Control Board)	Startup: 324 mA
	Standby: 311 mA
	Alarm: 314 mA
Environmental Specifications	
Operating Temperature	32° F to 120° F (0° C to 49° C)
Humidity	Up to 93% relative humidity at 90° F (32° C)
Wiring	
Wiring Distance	Total of 4000 ft from command panel to last Area of rescue device. Class B. Last device.
Wiring	4 wire operation 1 twisted pair 18AWG for 24 VDC 1 twisted pair 20 AWG for RS-485 communication May use any plenum for FPLR rated wire

Wiring instructions

Refer to Figure 3 to wire an AOR Remote Call station to a Command Panel.



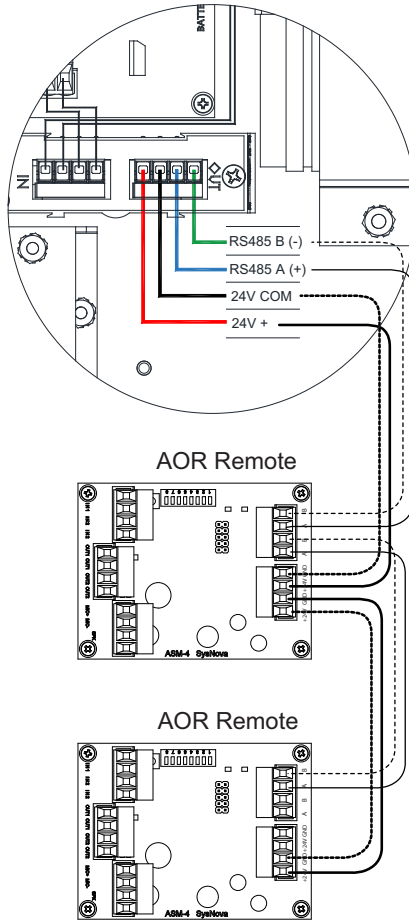


Figure 3. AOR Field Wiring Connections

